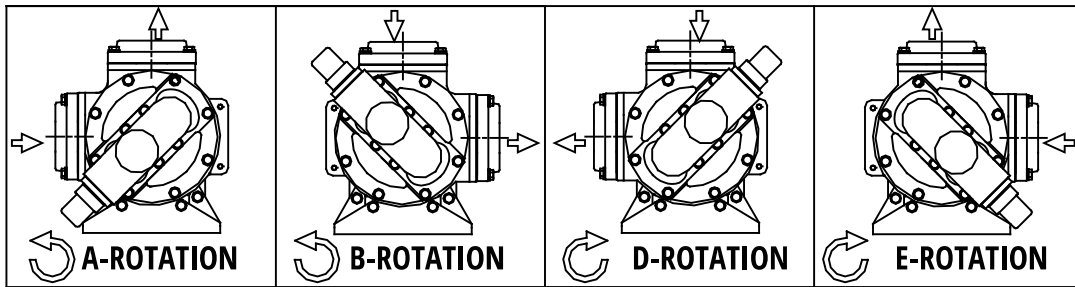
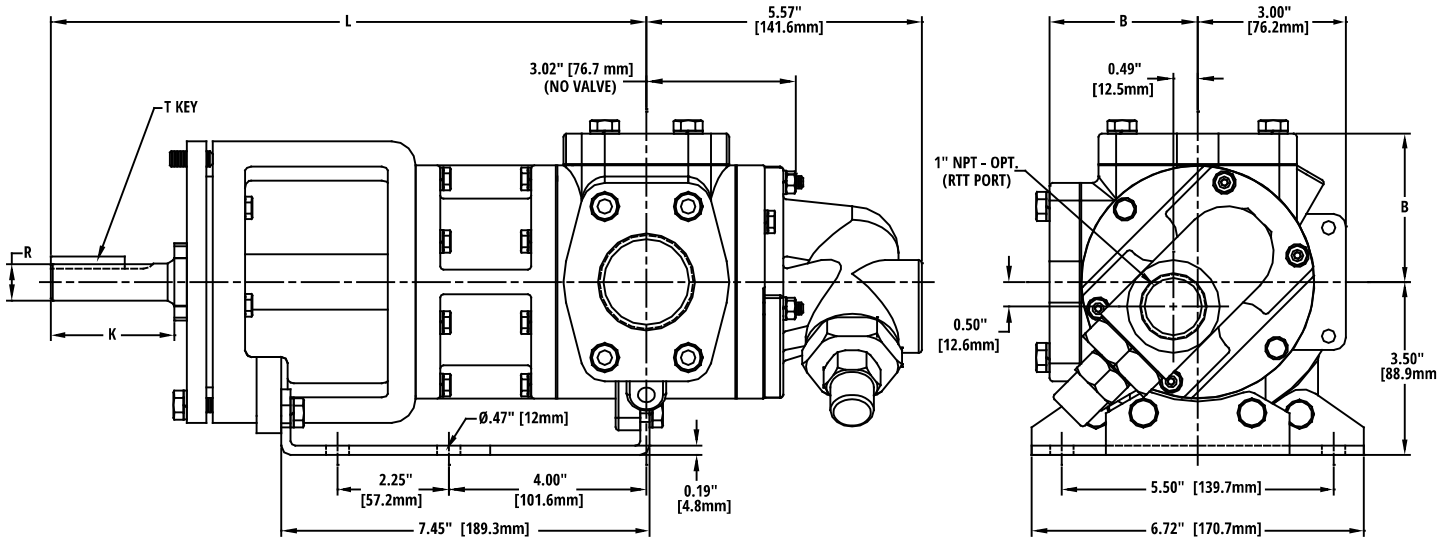




Table of Contents

GG015 - GG030 with Angle Ports (Flanged Only)		GlobalGear® Material of Construction.....	20
Mounting Dimensions.....	3	GlobalGear® Clearance Viscosity Limits.....	20
IG015I - IG030I with Integral Angle Ports (NPT Only)		GlobalGear® Temperature Limits.....	21
Mounting Dimensions.....	4	GlobalGear® Materials of Construction.....	22
GG015 - GG030 with Side Ports (Flange Only)		GlobalGear® Standard Seal Specifications (GG015 – GG030).....	23
Mounting Dimensions.....	5	GlobalGear® Standard Seal Specifications (GG050 – GG090).....	24
IG015I - IG030I with Integral Side Ports		GlobalGear® Standard Seal Specifications (GG120 – GG250).....	25
Mounting Dimensions.....	6	GlobalGear® Standard Seal Specifications (GG550).....	26
GG050 - GG070 with Angle Ports (NPT & Flange/Iron Only)		GlobalGear® Seal Chamber Dimensions Mech Seal (Inboard Location, Inch Shaft).....	27
Mounting Dimensions.....	7	GlobalGear® Seal Chamber Dimensions Mech Seal (Outboard Location, Inch Shaft).....	28
GG050 - GG070 with Side Ports (NPT & Flange)		GlobalGear® Seal Chamber Dimensions Packing.....	29
Mounting Dimensions.....	8	GlobalGear® Seal Chamber Dimensions Cartridge Seal.....	30
GG080 - GG090 with Angle Ports (NPT & Flange)		GlobalGear® Jackets Data & Dimensions.....	31
Mounting Dimensions.....	9	Dimensions - 90° Ports.....	31
GG080 - GG090 with Side Ports (NPT & Flange)		GlobalGear® Jackets Data & Dimensions.....	32
Mounting Dimensions.....	10	Dimensions - 180° Ports.....	32
GG120 - GG130 with Angle Ports (CI & SS Only)		GlobalGear® NPSH Data.....	33
Mounting Dimensions.....	11	GlobalGear® Flange Ratings (Cast Iron).....	34
GG120 - GG130 with Side Ports (CI, SS, & CS)		GlobalGear® Flange Ratings (Stainless Steel).....	34
Mounting Dimensions.....	12	GG Series Pumps Nozzle Loading Data.....	35
GG200 - GG210 with Angle Ports Mounting Dimensions.....	13		
GG200 - GG210 with Side Ports Mounting Dimensions.....	14		
GG250 with Angle Ports Mounting Dimensions.....	15		
GG250 with Side Ports Mounting Dimensions.....	16		
GG550 with 6" Side Ports (CI, SS, & CS)			
Mounting Dimensions.....	17		
GG550 with 4" Angle Ports (CI Only)			
Mounting Dimensions.....	18		
GlobalGear® Model Number System.....	19		

GG015 - GG030 with Angle Ports (Flanged Only) Mounting Dimensions



Shaft Dimensions

Shaft Design	K	R	T	L
Inch (")	2.10	0.75	3/16 x 3/16 x 1.5	12.07

Port Dimensions

Port Type	B
ANSI	4.00" [102mm]

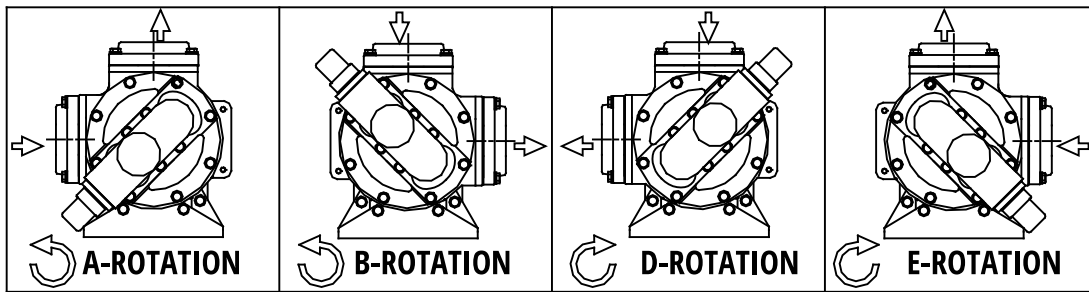
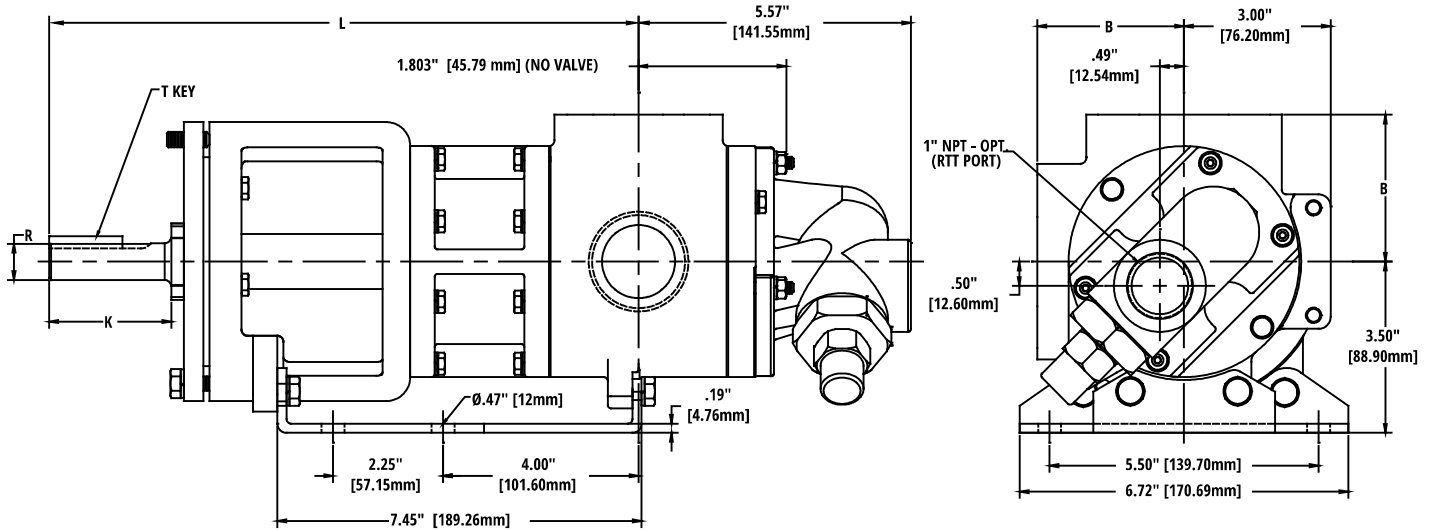
Back Pull-Out Dimensions

Size	Min Spacer
GG015	1.60" [41mm]
GG030	2.22" [56mm]

Face Type

	Size-Rating
Raised Face	1 1/2" & 2" - ANSI 250#
Flat Face	1 1/2" & 2" - ANSI 125#
	2" - ANSI 150#

IG015I - IG030I with Integral Angle Ports (NPT Only) Mounting Dimensions



Shaft Dimensions

Shaft Design	K	R	T	L
Inch (")	2.10	0.75	3/16 x 3/16 x 1.5	12.07

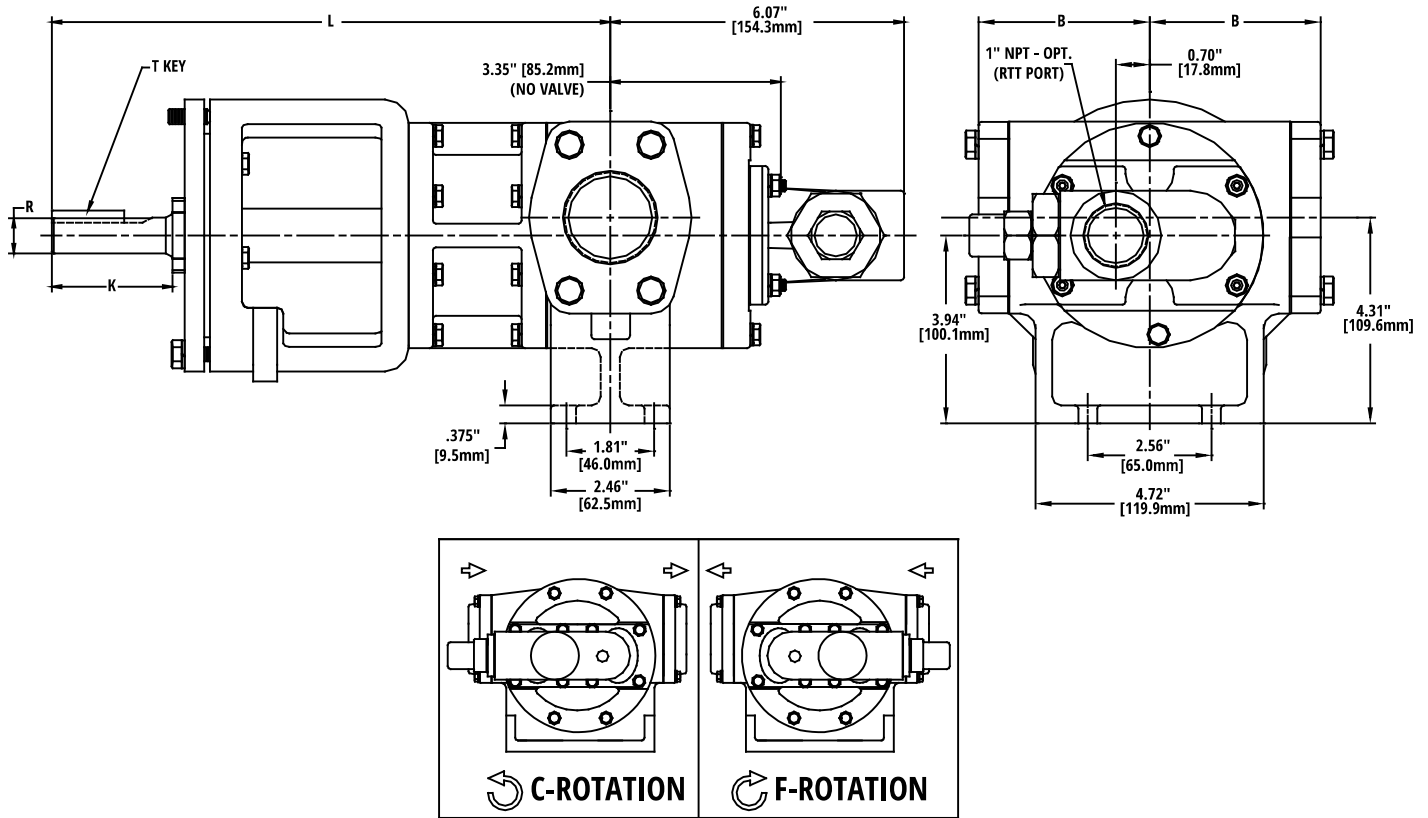
Port Dimensions

Port Type	B
1-1/2" FNPT (CI)	3.00" [76mm]

Back Pull-Out Dimensions

Size	Min Spacer
GG015	1.60" [41mm]
GG030	2.22" [56mm]

GG015 - GG030 with Side Ports (Flange Only) Mounting Dimensions



Shaft Dimensions

Shaft Design	K	R	T	L
Inch (")	2.36	0.75	3/16 x 3/16 x 1.5	11.56

Port Dimensions

Port Type	B
ANSI	4.54" [115mm]

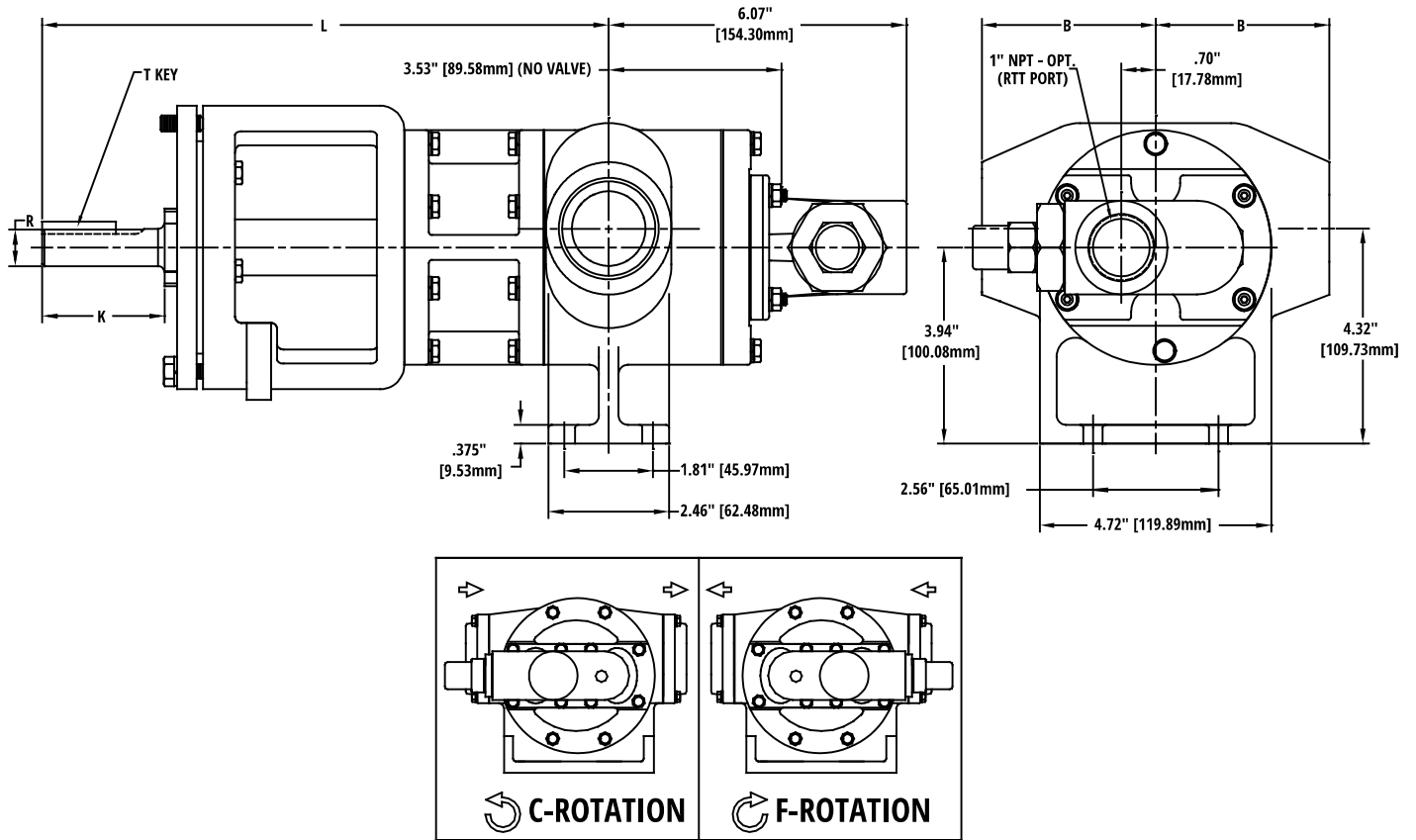
Back Pull-Out Dimensions

Size	Min Spacer
GG015	1.60" [41mm]
GG030	2.22" [56mm]

Face Type

	Size-Rating
Flat Face	Any Offered Size - ANSI 125#
	Any Offered Size - ANSI 150#

IG015I - IG030I with Integral Side Ports Mounting Dimensions



Shaft Dimensions

Shaft Design	K	R	T	L
Inch (")	2.36	0.75	3/16 x 3/16 x 1.5	11.56

Port Dimensions

Port Type	B
1-1/2" FNPT (CI)	3.54" [90mm]

Back Pull-Out Dimensions

Size	Min Spacer
GG015	1.60" [41mm]
GG030	2.22" [56mm]