

## Table of Contents

Introduction.....	3
General Description.....	3
Modular Design.....	3
GlobalGear® Models.....	4
GlobalGear® Model Number System.....	5
Installation.....	6
Simple Efficiency Improvement.....	7
Packing Adjustment.....	7
Lubrication Requirements.....	7
Parts Interchangeability.....	8
Inspection / Repair.....	9
Pump Disassembly - Partial.....	9
Drive Module Removal.....	10
Drive Module Installation.....	11
Install New Cover and Idler Gear.....	11
In-Line Seal / Packing Replacement.....	12
Pump - Complete Disassembly Procedure.....	15
Pump - Complete Assembly Procedure.....	17
Rebuild Drive Module Assembly.....	21
Adjustment of End Clearance .....	22
Safety Relief Valve Instructions.....	23
GlobalGear® Materials of Construction.....	25
GlobalGear® Temperature Limits.....	26
Troubleshooting.....	27
Material Returns.....	28
Warranty.....	28
Contact Information.....	28

## Introduction

The GG Series pumps have been certified to the requirements of the ATEX Directive 94/9/EC for use in Category II, Group 2 G applications. Read this manual before operating or working on the GG Series pumps. If additional information is required to facilitate operation or maintenance, contact the authorized Tuthill distributor shown at the back of this service manual. GG Series pumps have been designed and manufactured to provide years of service under normal operating conditions. Illustrations used in this manual are for reference purposes only. Consult the factory or an authorized Tuthill distributor for proper part identification. When ordering replacement parts, provide as much detail as possible to ensure correct parts are provided. Details should include the full model number (18 digits), serial number, name of part, part number (if known) and part material.

## General Description

The GG Series pumps use the internal gear design pumping principle (see Figure 1) to perform the positive-displacement pumping action desired. Thus, the pump has only two moving parts, the rotor and the idler gear.

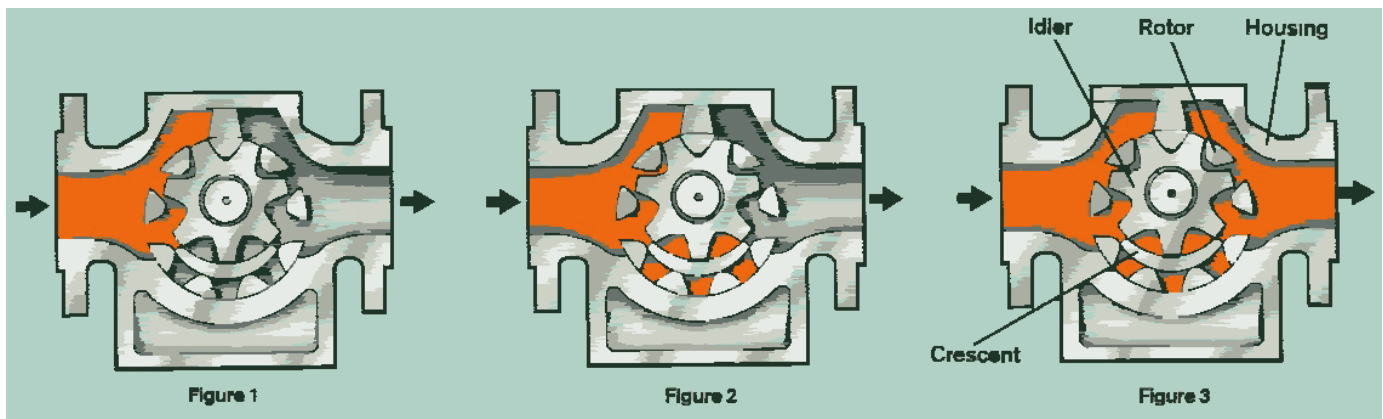


Figure 1 – Internal Gear Pumping Principle

Pumping action is based on a rotor, idler gear and crescent-shaped partition cast integral with the cover. Power applied to the rotor is transmitted to the idler gear with which it meshes. The space between the outside diameter of the idler and the inside diameter of the rotor is sealed by the crescent. As the pump starts, the teeth come out of mesh, increasing the volume. This creates a partial vacuum, drawing the liquid into the pump through the suction port. The liquid fills the spaces between the teeth of the idler and the rotor and is carried past the crescent partition through the pressure side of the pump. When the teeth mesh on the pressure side, the liquid is forced from the spaces and out through the discharge port. The materials furnished for each pump are selected to suit individual applications.

## Modular Design

The GG Series of pumps have a Modular Design concept. This allows for simplified maintenance of the pump and a broad range of flexibility on the design. For more information, consult the GG Series Catalog or your authorized Tuthill distributor. The GG Series of pumps allows for simplified repairs:

- Back Pullout—This allows the Drive Module (rotor/bracket/bearing carrier/bearing caps assembly) to be removed from the pump housing without disturbing the piping attachments. This requires the use of a spacer coupling.
- In-Line Seal Replacement—This allows for the replacement of the seals/packings without completely disassembling the pump.

The GG series of pumps in the GG250 and smaller sizes have bolt-on ports when furnished with a housing with a 90°-porting arrangement. This allows a broad range of flexibility for porting options in both size and configuration. The GG550 has ports cast integral with the housing. 90° housings can be rotated when assembled to add even more porting flexibility.

Material	Size	MaxSpeed	Max Capacity		Max Pressure		Weight	
			USGPM	LPM	PSI	BAR	LB	KG
Cast Iron	GG015	1800	15	57	200	13.8	50	22.7
	GG030	1800	30	114	200	13.8	50	22.7
	GG050	1500	50	189	75	5.0	110	49.9
	GG070	1500	70	265	75	5.0	110	49.9
	GG080	1500	80	303	75	5.0	110	49.9
	GG090	1500	90	341	75	5.0	110	49.9
	GG120	1200	120	454	200	13.8	175	78.1
	GG130	1000	130	492	200	13.8	175	78.1
	GG200	1000	200	757	200	13.8	260	116.0
	GG210	800	210	795	200	13.8	260	116.0
	GG250	640	200	946	200	13.8	280	125.0
	GG550	500	550	2081	150	10.3	700	318.2
Stainless Steel	GG015	1200	10	38	150	10.3	50	22.7
	GG030	1200	20	75	150	10.3	50	22.7
	GG080	1000	40	151	150	10.3	110	49.9
	GG130	640	86	325	150	10.3	175	78.1
	GG210	520	140	530	150	10.3	260	116.0
	GG250	520	160	632	100	6.9	260	125.0
	GG550	350	350	1325	125	8.6	700	318.2
Cast Steel	GG015	1800	15	57	200	13.8	50	22.7
	GG030	1800	30	114	200	13.8	50	22.7
	GG130	1000	100	379	200	13.8	175	78.1
	GG250	640	200	757	200	13.8	280	125.0
	GG550	500	550	2082	200	13.8	700	318.2

Table 1 - GlobalGear® Models

\* Where available, cast steel has the same performance characteristics as its equivalent sized iron pump.

# GlobalGear® Model Number System

For Special Pumps with a Feature not Described Below																	
Pump Series	Pump Size					Material	Port Position	Special Indicator	Year of Design	Sequential Special Number							
GG	210					I	A	- X	01	56							

Position	Pump Series		Pump Size			Material of Construction	Port Position & Rotation	Relief Valve	Sealing Method	Sealing Type	Seal Flush	Port Type	Port Size	Shaft Dimensions	Bushing Pin	Tutriding	Jackets	Clearances
	G	G	2	1	0	I	A	V	M	A	1	A	K	I	A	0	0	0
1	2	3	4	5	6	7	8	9	10	11	12	13	14	15	16	17	18	

### Pos. 1 & 2 - Pump Series

GG = complete pump  
GD = drive module

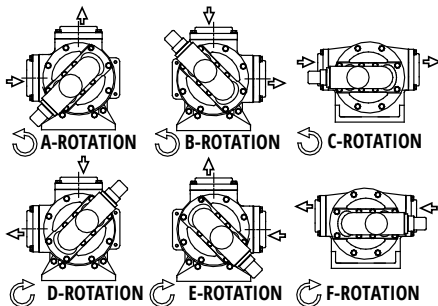
### Pos. 3, 4, & 5 - Pump Size

015 = nominal 15 GPM at 1800 RPM  
030 = nominal 30 GPM at 1800 RPM  
050 = nominal 50 GPM at 1500 RPM  
070 = nominal 70 GPM at 1500 RPM  
080 = nominal 80 GPM at 1500 RPM  
090 = nominal 90 GPM at 1500 RPM  
120 = nominal 120 GPM at 1200 RPM  
130 = nominal 130 GPM at 1000 RPM  
200 = nominal 200 GPM at 1000 RPM  
210 = nominal 210 GPM at 800 RPM  
250 = nominal 200 GPM at 640 RPM  
550 = nominal 550 GPM at 500 RPM

### Pos. 6 - Material of Construction

I = iron  
S = stainless steel  
C = cast steel

### Pos. 7 - Port Position & Rotation



### Pos. 8 - Relief Valve

0 = none  
V = internal

### Pos. 9 - Sealing Method

P = packing  
I = IB mechanical seal (behind rotor)  
M = OB mechanical seal (in stuffing box)  
C = cartridge mechanical seal

### Pos. 10 - Seal Type

0 = no gland or packing  
A = standard packing (graphite/PTFE)\*\*  
B = NI Resistant Type 2 Mechanical Seal  
C = food-grade packing (pure PTFE)  
E = Viton mechanical seal  
F = PTFE mechanical seal  
H = abrasion-resistant mech. seal (Viton)  
L = gen. purp. single cartridge seal (<7,500 SSU)  
M = hard face cartridge seal  
N = process single cartridge seal (<75,000 SSU)  
Q = Heavy Duty Slurry (Viton)  
R = Heavy Duty Slurry (Chemraz)  
T = TuffSeal cartridge lip seal (Viton O-rings)  
K = Triple Lip - PMF PTFE - Viton  
P = Hard Faces Cartridge Single Mech. Seal (Tungsten Carbide/Silicar - Viton) Quench Drain

### Pos. 11 - Seal Flush

0 = none  
1 = internal vent to suction (Plan 13)

### Pos. 12 - Port Type

0 = none  
A = FNPT  
C = ANSI 125# flanged (C.I. only)  
D = ANSI 150# flanged  
E = ANSI 250# flanged (C.I. only)  
F = ANSI 300# flanged

### Pos. 13 - Port Size

0 = none  
H = 1-1/2" or 40mm  
I = 2" or 50mm  
J = 2-1/2" or 65mm  
K = 3" or 80mm  
L = 4" or 100mm  
N = 6" or 150mm

### Pos. 14 - Shaft Dimensions

I = Inch seal & coupling

### Pos. 15 - Bushings & Pin

A = bronze idler & bracket  
C = carbon idler, bronze bracket  
D = carbon idler & bracket  
E = hi-temp carbon idler & bracket  
G = T.C. idler with T.C. pin, bronze bracket  
I = T.C. idler & bracket with T.C. pin & hardened shaft

### Pos. 16 - Tutriding

0 = none  
1 = Tuttrided rotor head, idler, cover  
2 = Tuttrided rotor head, idler, cover, housing

### Pos. 17 - Jackets

0 = none  
1 = cover only  
2 = bracket only  
3 = cover and bracket

### Pos. 18 - Clearances

0 = standard <7,500 SSU, -100° to 200°F  
A = 7,500 to 75,000 SSU 200° to 300°F  
B = 75,000 to 750,000 SSU  
G = <7,500 SSU 300°F to 450°F (see note)  
H = 450°F to 550°F (see note)  
J = Chocolate Clearance Mods (Include Class B Clearance, Bronze Bushings, Root Drilled Idler & Drilled Rotor Head.)

Note: Pumps with G or H in this position include hi-temp package (paint, bearing & gaskets)

### Legend

■ = NOT AVAILABLE ON ALL SIZES  
C.I. = Cast Iron  
T.C. = Tungsten Carbide

## WARNING!

Failure to follow these instructions could result in serious bodily injury or death. Do not attempt to work on any Tuthill pump installation before completing the steps below. Disconnect the drive so that it cannot be started while work is being performed. Review the Material Safety Data Sheet (MSDS) applicable to the liquid being pumped to determine its characteristics and the precautions necessary to ensure safe handling. Vent all pressure within the pump through the suction or discharge lines. All Tuthill pumps contain residual hydraulic oil from the factory production test. Determine if this is compatible with the fluid you are pumping. If the fluid is incompatible, then the pump must be fully flushed prior to use. If the pump is to be operated at elevated temperatures, the pump should be brought up to operating temperatures gradually. Rapid or sudden introduction of liquids at elevated temperatures into the cold liquid chamber of the pump could cause damage to pump externals, seals or other internal parts. **Do not run the pump dry.** Failure to comply with this could cause severe damage to the internal seal, bushings and/or metal parts. Pump needs to be Earthed separately to avoid build up of Electro-Static Charge.

## Installation

For optimum pump performance the suction line must be at least as large as the corresponding pump port. It should be as short as possible in order to avoid excessive pressure drops and must be airtight. Locate the pump as close to the source of supply as conditions permit and if possible, below the level of the liquid in the reservoir. When necessary to locate the pump in a pit, provisions should be made to safeguard against flooding.

When handling high viscosity liquids, the speed of the pump must be reduced and the size of the inlet lines increased to prevent cavitation. Refer to the NPSHr data for the pump. The GlobalGear® series of pumps (GG250 and smaller) provides an orifice vent to the seal chamber in the bracket from one of the housing's ports (typically the suction port). On applications where the viscosity is 7,500 SSU or greater, the orifice plug should be removed so there is no restriction on the vent hole. Pumps should be filled with liquid at installation and should never be allowed to run dry. The placement of a strainer on the suction side of the pump will restrict any solids or abrasives from entering the pump, which could cause internal damage.

Under no conditions should the pump be used to support external piping loads (weight or expansion). Piping and other equipment should be independently supported. Piping strain can result in misalignment, hot bearings, worn couplings, vibration, etc. It is important that the piping used be clean and free of chips and scales. The discharge line must be designed with the maximum pressure rating of the pump in mind. Excessive pressure could cause damage to your motor and/or pump. If a pressure relief valve has not been supplied with the pump, some other means of pressure protection must be utilized. This could include in-line safety valves, pressure shutdown switches or other similar devices.

Pumps shipped from the factory with relief valves have the relief valve set at full bypass at the factory on 150 SSU oil at our factory production test speeds. Field adjustments will be required to meet the actual application requirements. Refer to adjustment instructions on Page 32. Pumps shipped from the factory with relief valves are assembled for clockwise or counterclockwise rotation as originally specified. If you want to change rotation, the relief valve assembly must be removed and turned 180 degrees. The adjusting screw must always point toward the suction line.

Every pump installation should have a good foundation. Its structure should be sufficiently strong to hold the pump rigid and to absorb any strain or shock that may be encountered. The installation should be leveled, checked for proper piping alignment, and then fastened securely. The alignment should be rechecked after the pump's temperature has reached its operating temperature.

Direct drive through a traditional flexible coupling is recommended. However, do not expect the coupling to compensate for misalignment. Contact the coupling manufacturer to determine the maximum amount of misalignment that the coupling can be subjected to. Never operate the pumps without all the guards in place. Pumps operating with bi-directional rotation must have pressure relief devices installed on both sides of the pump. Prior to energizing the pump driver, the pump shaft should be rotated by hand to be sure that it turns freely. Tag-out, lock-out safety procedures should be followed carefully to be sure that the pump driver cannot be energized during a hand rotation test.

## Simple Efficiency Improvement

The efficiency of the pump may decrease after considerable use as a result of wear. If performance deteriorates below acceptable levels, it may be moderately improved by reducing the end clearance between rotating elements. Refer to the appropriate reassembly instructions to accomplish this task. If this doesn't improve performance to an acceptable level, then more repair work may be necessary.

## Packing Adjustment

### WARNING!

Packing is designed to leak. Therefore, when pumping hazardous liquids, a mechanical seal is recommended to minimize any potential source of leakage that could result in a hazardous condition.

Pumps with packing will require periodic adjustment. To accomplish this, gently & evenly tighten packing gland nuts, which will further compress the packing. Do not over-tighten. Packing is designed to keep leakage to a slight weep. Normally 2-3 drops per minute is acceptable. If excessive leakage persists after complete adjustment, consider re-packing the stuffing box or using another packing type.

## Lubrication Requirements

### Outer Bearing

The standard outer bearings are maintenance free. They are greased and sealed by the manufacturer. Optional high-temperature outer bearings must be re-lubricated at least every 2000 hours or 180 days. Bearings are designed to provide a minimum L10 life of 15,000 hours at maximum speed and pressure conditions.

### Bracket Bushing

Bracket bushings that do not have grease fittings are fully lubricated by the pumped fluid and are maintenance free. Bracket bushings that are provided with grease fittings must be re-lubricated at least every 500 hours or 60 days.

### Idler Bushing

Idler bushings that are used with standard solid idler pins are fully lubricated by the pumped fluid and are maintenance free. Idler bushings that are used with optional greasable idler pins must be re-lubricated at least every 500 hours or 60 days.

Description	Manufacturer	Grade	Recommended Temperature Range			
			Minimum		Maximum	
			°F	°C	°F	°C
Standard Grease	Lubriplate	1200-2	-25	-32	350	177
	Mobile	Mobilith AW 2	-25	-32	350	177
High Temp. Grease	Lubriplate	High-Temp	40	4	500	260
Low Temp. Grease	Lubriplate	Mag-1	-60	-51	200	93
	Mobile	Mobilettemp SHC 32	-60	-51	200	93
Food Grade Grease	Lubriplate	FGL-2	10	-12	350	177
	Mobile	Mobilgrease FM 102	10	-12	350	177

Table 2 – Recommended Lubricants

**Note:** This lubrication data is only intended as a guide. Some applications may have different lubrication requirements depending on actual conditions.

## Parts Interchangeability

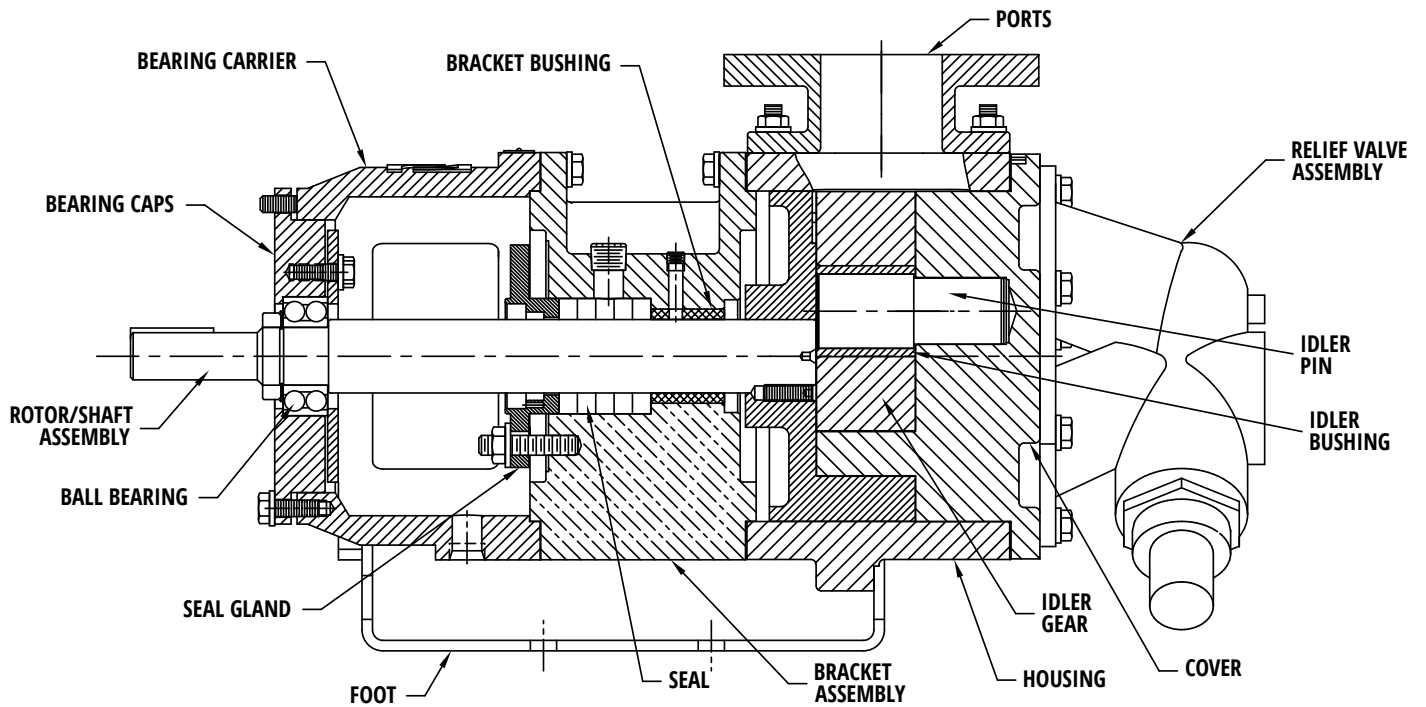


Figure 2

Part Name	Pump Size											
	GG015	GG030	GG050	GG070	GG080	GG090	GG120	GG130	GG200	GG210	GG250	GG550
Housing												*
Parts												*
Relief Valve Assembly												*
Bracket/Bushing Assembly												*
Bracket Bushing												*
Cover/Pin Assembly	*	*	*	*	*	*	*	*	*	*	*	*
Rotor Shaft/ Assembly	*	*	*	*	*	*	*	*	*	*	*	*
Idler/Bushing Assembly	*	*	*	*	*	*	*	*	*	*	*	*
Mechanical Seal or Packing												*
Glands												*
Bearing Carrier												*
Inner Bearing												*
Outer Bearing Cap												*
Ball Bearing												*
Foot												*

**Note:** Pumps with 180° ports have housings with a cast integral foot. These do not include a separate foot. \* unique part for that size



## Inspection / Repair

Should it be necessary to remove the pump from service for periodic inspection of components and/or a major repair, the following steps should be taken.

### WARNING!

---

Failure to follow these instructions could result in serious bodily injury or death. Do not attempt to work on any Tuthill pump installation before completing the steps below. Only authorized personnel who are familiar with the repair of mechanical products should perform the necessary repair work. You must familiarize yourself with the entire contents of this manual prior to performing any work. Disconnect the drive so that it cannot be started while work is being performed. Review the Material Safety Data Sheet (MSDS) applicable to the liquid being pumped to determine its characteristics and the precautions necessary to ensure safe handling. Vent all pressure within the pump through the suction or discharge lines. Ensure that the pump has cooled to a safe temperature prior to performing any work on the pump.

## Pump Disassembly - Partial

The GG Series of pumps provides the ability to rebuild the internal pumping components of the pump without removing the pump housing from the base plate. This is accomplished by removing the cover and idler gear from the front end of the pump and the drive module from the shaft end of the pump.

### Remove the Cover and Idler Gear

#### WARNING!

---

When removing the cover, the idler gear will generally stay on the pin. Avoid tilting the cover downward as the idler may slide off causing injury or damage.

**Note:** On pumps with relief valves on the cover, the cover can be removed with the relief valve still mounted onto the cover.

If necessary, remove safety relief valve: If the pump has a safety relief valve mounted on it, remove it by loosening the bolts that mount it to the cover or housing. Prior to removing the cover, the general position should be marked in relationship to the housing. Once done, remove the cover bolts and the cover.

### Remove the Cover Gasket

If a new gasket is not available, re-use of the original gasket is acceptable, provided it is not torn or otherwise damaged.

### Remove the Idler from the Pin

With the idler gear still on the cover, check for excessive wear between:

- The pin and bushing
- The idler and cover crescent
- Idler width and crescent height

Any visible signs of excessive wear will require replacement of the cover/pin assembly and/or the idler and the bushing.

If only the bushing shows signs of minor wear, it should be replaced. Acceptable bushing clearances are shown in Table 3 (for pumps with standard clearance only).

Pump Size	Acceptable Clearance	
	Inch	mm
GG015	0.001 - 0.007	0.038 - 0.178
GG030	0.001 - 0.007	0.038 - 0.178
GG050	0.002 - 0.008	0.051 - 0.203
GG070	0.002 - 0.008	0.051 - 0.203
GG080	0.002 - 0.008	0.051 - 0.203
GG090	0.002 - 0.008	0.051 - 0.203
GG120	0.002 - 0.009	0.064 - 0.229
GG130	0.002 - 0.009	0.064 - 0.229
GG200	0.003 - 0.009	0.089 - 0.229
GG210	0.003 - 0.009	0.089 - 0.229
GG250	0.003 - 0.009	0.089 - 0.229
GG550	0.005 - 0.012	0.127 - 0.305

Table 3 - Idler Bushing Clearances

**Note:** Many Tuthill pumps are provided with non-standard clearances for use with high-viscosity or high-temperature fluids. Consult the factory for clearances of these pumps.

## Drive Module Removal

### Remove the drive module assembly from housing

If service is being completed with the housing still mounted to the base plate/piping, you must first remove the spacer from the spacer coupling.

Adequately support the housing (on the cover side) so it will not fall.

Remove the bolts that hold the bracket to the housing.

On pumps that do not have a cast integral foot, remove the bolts that attach the foot to the bearing carrier.

The drive module assembly can then be pulled from the housing as a single unit (Figure 3). Caution should be used, as the drive modules can be heavy. The use of a lifting device may be required.

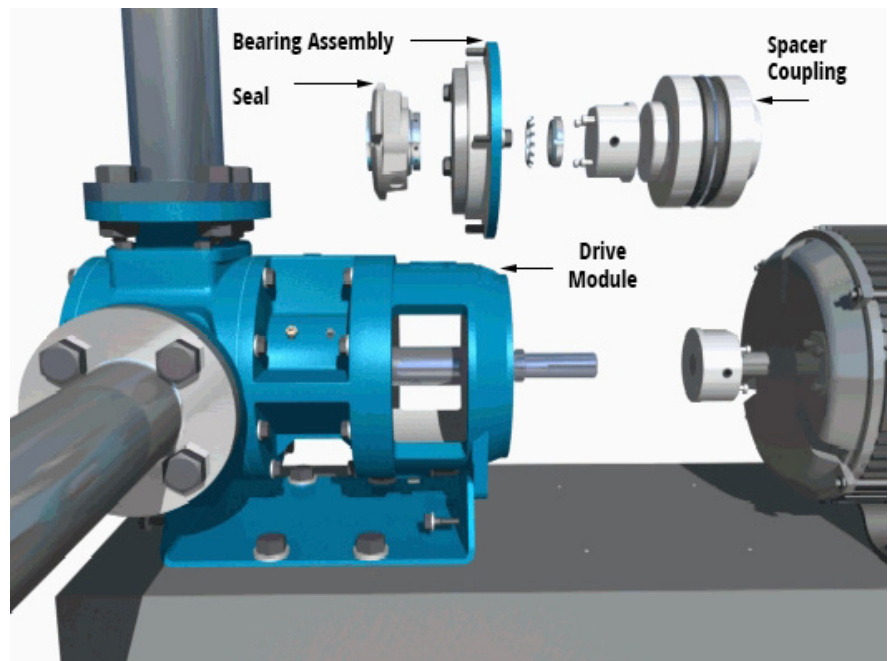


Figure 3 - Back Pullout

## Drive Module Installation

Place the gasket on the bracket.

**Note:** The standard bracket for the GlobalGear pumps provides a vent to the seal chamber from the suction port of the housing (see Figure 4). Position the bracket so the vent hole lines up with the hole in the housing by the suction port. See Table 4 for proper torque specifications.

The orifice plug should be removed from the GG250 and smaller pumps if the viscosity of the application is greater than 7500 SSU (1650 CST).

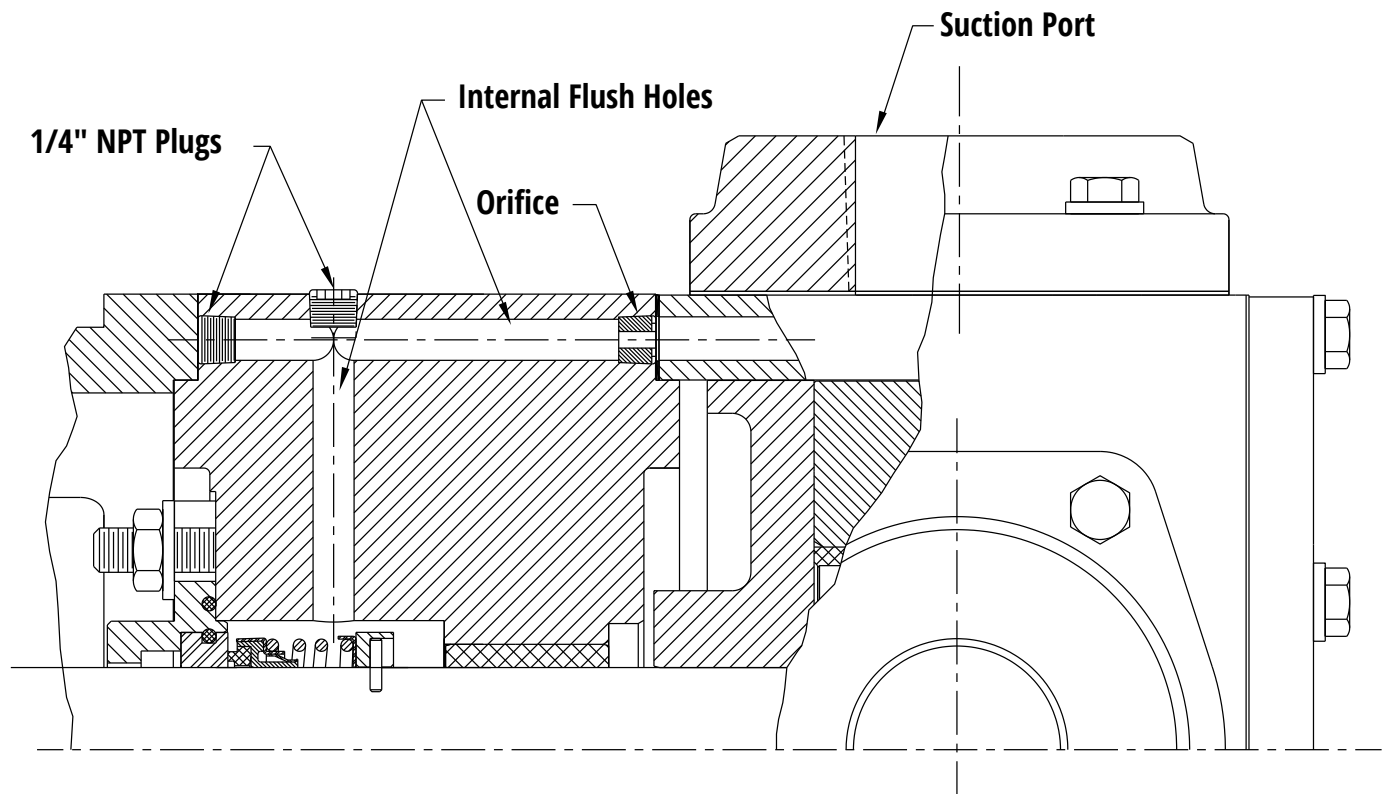


Figure 4 – Internal Seal Vent

Slide the drive module into the housing and assemble with bolts that attach the bracket to the housing.

## Install New Cover and Idler Gear

See Table 4 for proper torque specifications. Place idler assembly on cover once the idler is on the cover, ensure that it rotates freely.

### Install Cover and Idler Assembly

Place the gasket on the cover. Tilt the top of the cover away from the pump until the crescent can be fitted into the rotor I.D. then rotate the idler until its teeth mesh with the rotor teeth. Assemble with cover bolts.

If required, install relief valve to the housing or cover. Prior to reinstalling the relief valve back onto the pump housing or cover, ensure that the valve is clear of any foreign material and that the flow ports are unobstructed. Place the valve gasket on the housing or cover.

Assemble the valve on the pump housing or cover with valve screws. Make certain the adjusting screw of the valve points towards the suction port.

---

**CAUTION!**

---

The adjusting screw of the valve must point towards the suction port. The end clearances can now be set. Refer to instructions on Page 32.

Fastener Size	Foot - Pounds	Newton - Meters
M 6	6 - 9	8 - 12
M 8	14 - 21	19 - 28
M10	30 - 40	41 - 54
M 12	55 - 65	75 - 88

Table 4a – Fastener torque requirements

### Refit Coupling and Guard

If you have been able to take advantage of the modular design of this pump, the complete overhaul has been accomplished without removal of the housing from the base plate or piping. Thus, your original coupling alignment should be intact.

Refit the coupling and spacer, double-check alignment and complete any final adjustments.

### In-Line Seal / Packing Replacement

---

**WARNING!**

---

Failure to follow these instructions could result in serious bodily injury or death. Do not attempt to work on any Tuthill pump installation before completing the steps below. Only authorized personnel who are familiar with the repair of mechanical products should perform the necessary repair work. You must familiarize yourself with the entire contents of this manual prior to performing any work. Disconnect the drive so that it cannot be started while work is being performed. Review the Material Safety Data Sheet (MSDS) applicable to the liquid being pumped to determine its characteristics and the precautions necessary to ensure safe handling.

Vent all pressure within the pump through the suction or discharge lines. Ensure that the pump has cooled to a safe temperature prior to performing any work on the pump. The seals and packing's on the GG Series of pumps can be replaced without a complete disassembly of the pump.

**Note:** See Table 4 for proper torque specifications.

### Remove the Ball Bearing Assembly

- Remove the bearing lock washer and locknut
- Remove the outer bearing cap hex head bolts
- Remove the bearing/bearing cap assembly

**Note:** If dirt or rust has gotten between the bearing carrier and the bearing cap, then the bearing/bearing cap assembly may be difficult to remove.

### Remove the Seal or Packing

- Remove the gland nuts and washers
- Remove the gland
- Remove the packing

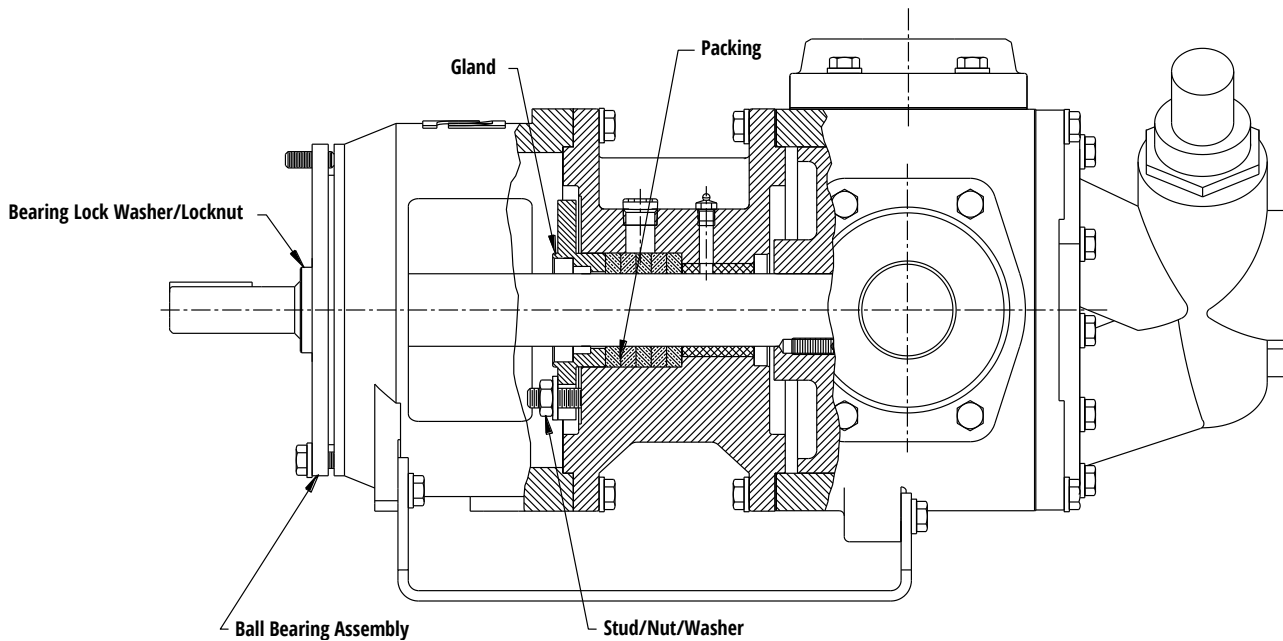


Figure 6 – Pump with Packing

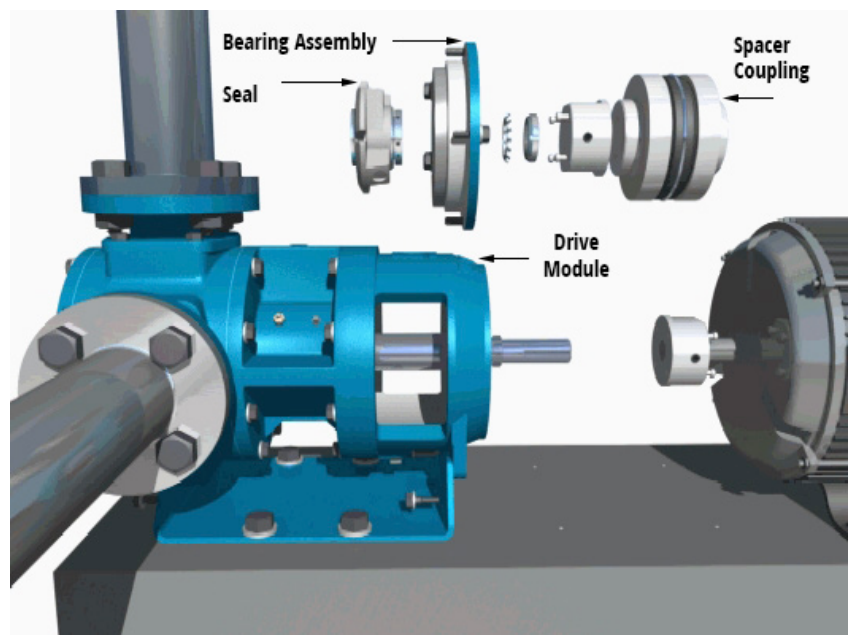
Pumps with single seal behind the bushing (Out-Board location –see Figure 10). Remove the gland nuts and washers. Remove the gland and gland gasket. Remove the seal head from the shaft. Remove the seal seat from the gland. Remove the out-board seal collar. Remove the pin from the shaft. To do this, remove the plug in the 1/2" NPT hole in the bracket. Using a needle nose pliers (or similar tool), remove the locating pin from the hole in the shaft. Pumps with cartridge seal consult the separate seal instructions provided by the seal manufacturer.

## Install Packing or Seal

Pumps with packing Install and seat each ring into the bracket stuffing box and stagger cut joints from one side of the shaft to the other. Loosely install the gland using the gland studs, nuts and washers. The packing will be adjusted on site. Pumps with single seal behind the bushing (Out-Board location - See Figure 10)

It is always recommended to replace the rotor if scoring is present on the shaft. If the old one is being re-used, lightly polish the shaft in order to remove minor defects.

- Install the locating collar (see Figure 7)
- Using a needle nose pliers (or similar tool), install the locating pin by inserting it through the hole in the bracket into the hole in the shaft
- Position the collar so the side with the slot for the locating pin is towards the housing
- Slide the collar over the shaft until it engages with the locating pin
- Install the stationary seat into the gland
- Lightly lubricate the O-ring on the stationary seat and then press the seat into the gland. If the gland has an anti-rotation pin, make sure the pin is aligned with the slot in the seal seat



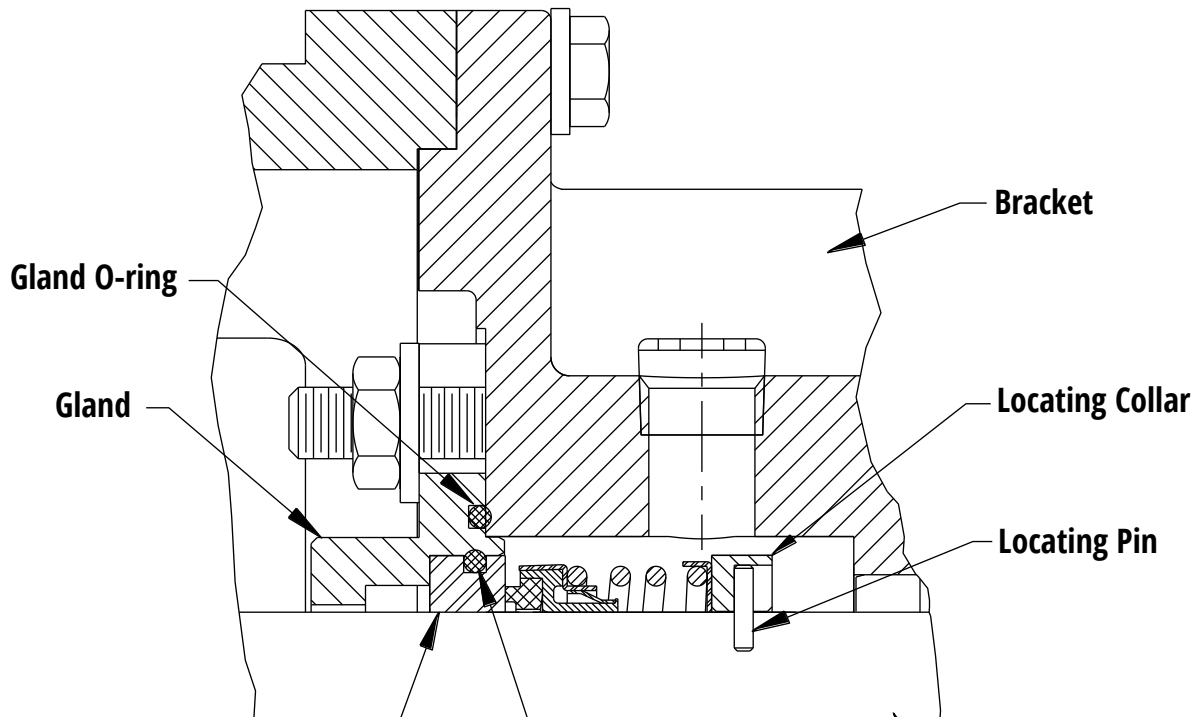


Figure 7

**CAUTION!**

The highly polished seal faces should not be touched during the assembly process, as any minor scratch could result in leakage once in service.

- Install the mechanical seal onto the shaft.
- Lightly polish the shaft in order to remove any minor defects.
- Place the seal head on the rotor shaft. A light lubricant will assist. Proper location of the seal is with the back portion against the collar. If the seal head has setscrews, tighten them once the seal head is properly located. Plug the access holes when finished with the ½" NPT plug.
- Install the gland
- Slide the gland O-ring and gland over the shaft and position it onto the studs on the bracket. Install the washers and nuts and tighten.

Pumps with cartridge seal consult the separate seal instructions provided with the new seal.

**Install Ball Bearing Assembly**

Place the inner bearing cap over the shaft. Install the new ball bearing onto the shaft. The bearing may have a slight press on the shaft so the bearing may have to be tapped on. Ensure that it bottoms out on the shaft shoulder. The bearing must be pressed on the inner race, not the outer race. Pressing on the outer race could damage the bearing.

**CAUTION!**

Do not use excessive force when pressing the bearing onto the pump shaft, as it could damage the mechanical seal.

Install the bearing lock washer and locknut. After the locknut is tightened, bend one of the lock washer tabs into the locknut slot to ensure that the locknut cannot vibrate loose. Loosely fit the inner and outer bearing caps to the bearing carrier using the bearing cap screws. DO NOT tighten the bolts at this time.

The end clearances can now be set. Refer to instructions on Page 22.

## Refit Coupling and Guard

If you have been able to take advantage of the modular design of this pump, the complete overhaul has been accomplished without removal of the housing from the base plate or piping. Thus, your original coupling alignment should be intact.

Refit the coupling and spacer, double-check alignment and complete any final adjustments.

## Pump - Complete Disassembly Procedure

---

### WARNING!

Failure to follow these instructions could result in serious bodily injury or death. Do not attempt to work on any Tuthill pump installation before completing the steps below. Only authorized personnel who are familiar with the repair of mechanical products should perform the necessary repair work. You must familiarize yourself with the entire contents of this manual prior to performing any work

Disconnect the drive so that it cannot be started while work is being performed. Review the Material Safety Data Sheet (MSDS) applicable to the liquid being pumped to determine its characteristics and the precautions necessary to ensure safe handling.

Vent all pressure within the pump through the suction or discharge lines. Ensure that the pump has cooled a safe temperature prior to performing any work on the pump.

### Remove the Pump from the Base

The pump can be removed from the base for service or it can be disassembled without disturbing the housing, provided a spacer coupling was originally installed. If necessary, remove safety relief valve. If the pump has a safety relief valve mounted on it, remove it by loosening the bolts that mount it to the cover or housing.

### Remove Pump Cover

On pumps with relief valves on the cover, the cover can be removed with the relief valve still mounted onto the cover. Prior to removing the cover, the general position should be marked in relationship to the housing. Once done, remove the cover bolts and the cover.

---

### CAUTION!

When removing the cover, the idler gear will generally stay on the pin. Avoid tilting the cover downward as the idler may slide off causing injury or damage. Remove the cover gasket and if a new gasket is not available, re-use of the original gasket is acceptable, provided it is not torn or otherwise damaged.

### Remove the Idler from the Pin

With the idler gear still on the cover, check for excessive wear between:

- The pin and bushing
- The idler and cover crescent
- Idler width and crescent height

Any visible signs of excessive wear will require replacement of the cover/pin assembly and/or the idler and the bushing.

If only the bushing shows signs of minor wear, it should be replaced. Acceptable bushing clearances are shown in Table 3 (for pumps with standard clearance only).

**Note:** Many Tuthill pumps are provided with non-standard clearances for use with high-viscosity or high-temperature fluids. Consult the factory for clearances of these pumps.

## Remove the Drive Module Assembly from Housing

If service is being completed with the housing still mounted to the base plate/piping, you must first remove the spacer from the spacer coupling.

Adequately support the housing (on the cover side) so it will not fall.

Remove the bolts that hold the bracket to the housing.

On pumps that do not have a cast integral foot, remove the bolts that attach the foot to the bearing carrier.

The drive module assembly can then be pulled from the housing as a single unit. Caution should be used, as the drive modules can be heavy. The use of a lifting device may be required.

## Remove the Ball Bearing Assembly

- Remove the bearing lock washer and locknut
- Remove the outer bearing cap hex head bolts
- Remove the bearing/bearing caps assembly
- Remove the three bolts that hold the inner bearing cap in place and remove the inner bearing cap
- Remove the outer bearing cap
- Remove the bearing from the shaft
- There may be a slight press-fit between the shaft and bearing
- Use a bearing puller or other appropriate tool if required

**Note:** If dirt or rust has gotten between the bearing carrier and the bearing cap, then the bearing/bearing cap assembly may be difficult to remove.

## Remove the Seal or Packing

For pumps with packing.

- Remove the gland nuts and washers
- Remove the gland and packing
- The rotor and bracket can now be separated

Pumps with single seal behind the rotor (In-Board Location - see Figure 9).

- Remove the bracket
- Remove the seal head from the shaft, directly behind the rotor head
- Remove the in-board seal gland from inside the bracket
- Remove the seal seat from the in-board seal gland

Pumps with single seal behind the bushing (Out-Board Location - see Figure 10).

- Remove the gland nuts and washer, gland, and gland gasket
- Remove the seal head from the shaft and seal seat from the gland
- Remove the out-board seal collar
- Remove the pin from the shaft. To do this, remove the plug in the ½" NPT hole in the bracket
- Using a needle nose pliers (or similar tool), remove the locating pin from the hole in the shaft
- The rotor and bracket can now be separated

Pumps with cartridge seal consult the separate seal instructions provided by the seal manufacturer.



## Clean and Inspect

Clean all parts and inspect for signs of excessive wear or scoring and replace if necessary. Any signs of excessive wear between the bracket bushing and shaft may also cause housing wear. This should be checked. If only the bracket bushing shows signs of minor wear it should be replaced. Acceptable bushing clearances are shown in Table 5 (for pumps with standard clearance only).

Pump Size	Acceptable Clearance	
	Inch	mm
GG015	0.001 - 0.005	0.025 - 0.127
GG030	0.001 - 0.005	0.025 - 0.127
GG050	0.001 - 0.006	0.025 - 0.152
GG070	0.001 - 0.006	0.025 - 0.152
GG080	0.001 - 0.006	0.025 - 0.152
GG090	0.001 - 0.006	0.025 - 0.152
GG120	0.003 - 0.008	0.076 - 0.203
GG130	0.003 - 0.008	0.076 - 0.203
GG200	0.003 - 0.008	0.076 - 0.203
GG210	0.003 - 0.008	0.076 - 0.203
GG250	0.003 - 0.008	0.076 - 0.203
GG550	0.0045 - 0.010	0.114 - 0.254

Table 5 - Bracket Bushing Clearances

**Note:** Many Tuthill pumps are provided with non-standard clearances for use with high-viscosity or high-temperature fluids. Consult the factory for clearances of these pumps. Tuthill quality replacement parts are available through your authorized Tuthill distributor. Use of parts not manufactured by Tuthill may void your warranty.

## Pump - Complete Assembly Procedure

See Table 4 for proper torque specifications. Prior to reassembly, ensure that all items are cleaned thoroughly and free of any metal burrs. Insert new idler bushing (if necessary).

### Bronze or Standard Carbon Bushings

Insert the new bushing with the assistance of a hand arbor press. The bushing should be flush to slightly below the face of the idler. Ensure that the bushing does not protrude beyond the surface of the idler on both faces.

Some sizes of idler gears use two bushings. If this is the case, install a bushing from each side making sure that the bushings do not protrude beyond the surface of the idler on either face.

### CAUTION!

Special care must be taken during the insertion of carbon bushings. Ensure that the bushing diameter and idler bore are parallel, as any misalignment during insertion may cause cracks. The bushing should be installed using the side of the bushing with the chamfer. Once insertion starts DO NOT STOP until the bushing is in proper position. Starting and stopping can result in cracked bushings. If an oven is available, the method described below in section B may also be used.

On idlers that use bronze bushings, there is a hole through the root diameter of one of the teeth. Use this hole to drill a hole through the bronze bushing. Wear heat-resistant gloves when handling hot components.

## Tungsten Carbide or High-Temperature Carbon Bushings

Heat the idler gear evenly to about 400°F (204°C). Set the heated idler gear on a flat surface. Drop the bushing into the idler gear making certain that the bushing is flush to slightly below the face of the idler. Ensure that the bushing does not protrude beyond the surface of the idler on both faces. Some sizes of idler gears use two bushings. If this is the case, install a bushing from each side making sure that the bushings do not protrude beyond the surface of the idler on either face. Allow the idler to air cool to room temperature.

## Insert New Bracket Bushing (if necessary)

With bronze or standard carbon bushings insert the new bushing with the assistance of a hand arbor press. Always install the bushing from the chamfered end of the bracket. On brackets that use bronze bushings, there is a hole through the bracket above the bushing. Use this hole to drill a hole through the bronze bushing.

### CAUTION!

Special care must be taken during the insertion of carbon bushings. Ensure that the bushing diameter and idler bore are parallel, as any misalignment during insertion may cause cracks. The bushing should be installed using the side of the bushing with the chamfer. Once insertion starts, **DO NOT STOP** until the bushing is in proper position. Starting and stopping can result in cracked bushings.

## Tungsten Carbide or High-Temperature Carbon Bushings

Heat the bracket evenly to about 400°F (204°C). Set the heated bracket on a flat surface. Use a spacer block to properly locate the bushing (see Figure 8). Drop the bushing into the bracket. Allow the bracket to air cool to room temperature.

### WARNING!

Wear heat-resistant gloves when handling hot components.

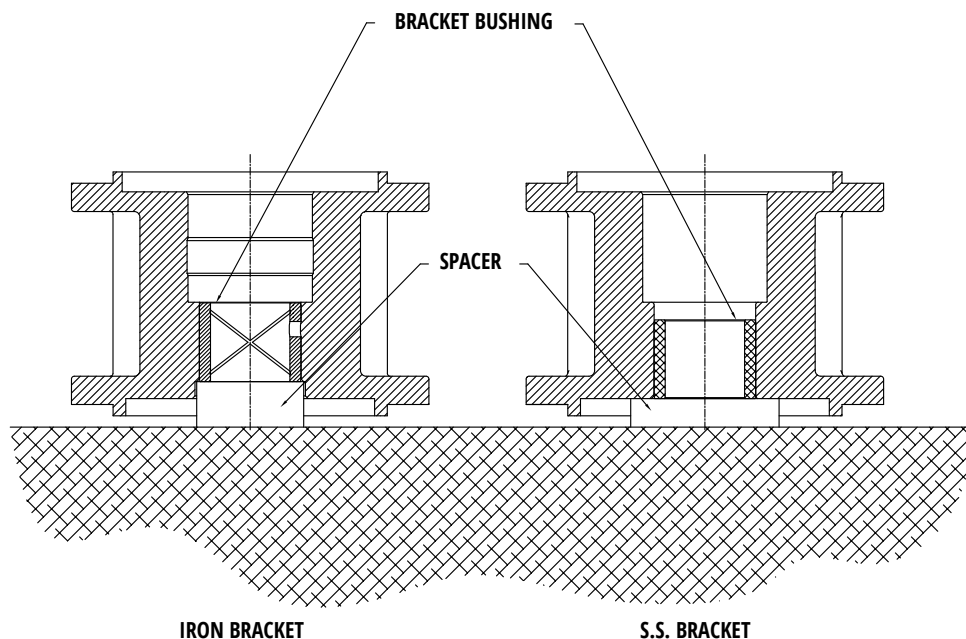


Figure 8 – Bracket Bushings

## Install Packing or Seal

For pumps with packing it is always good practice to install new packing during a complete rebuild. New packing sets are available from an authorized Tuthill distributor. Install and seat each ring into the bracket stuffing box and stagger cut joints from one side of the shaft to the other. Loosely install the gland, using the gland studs, nuts and washers. The packing will be adjusted on site. Pumps with single seal behind the rotor (In-Board location) See Figure 9

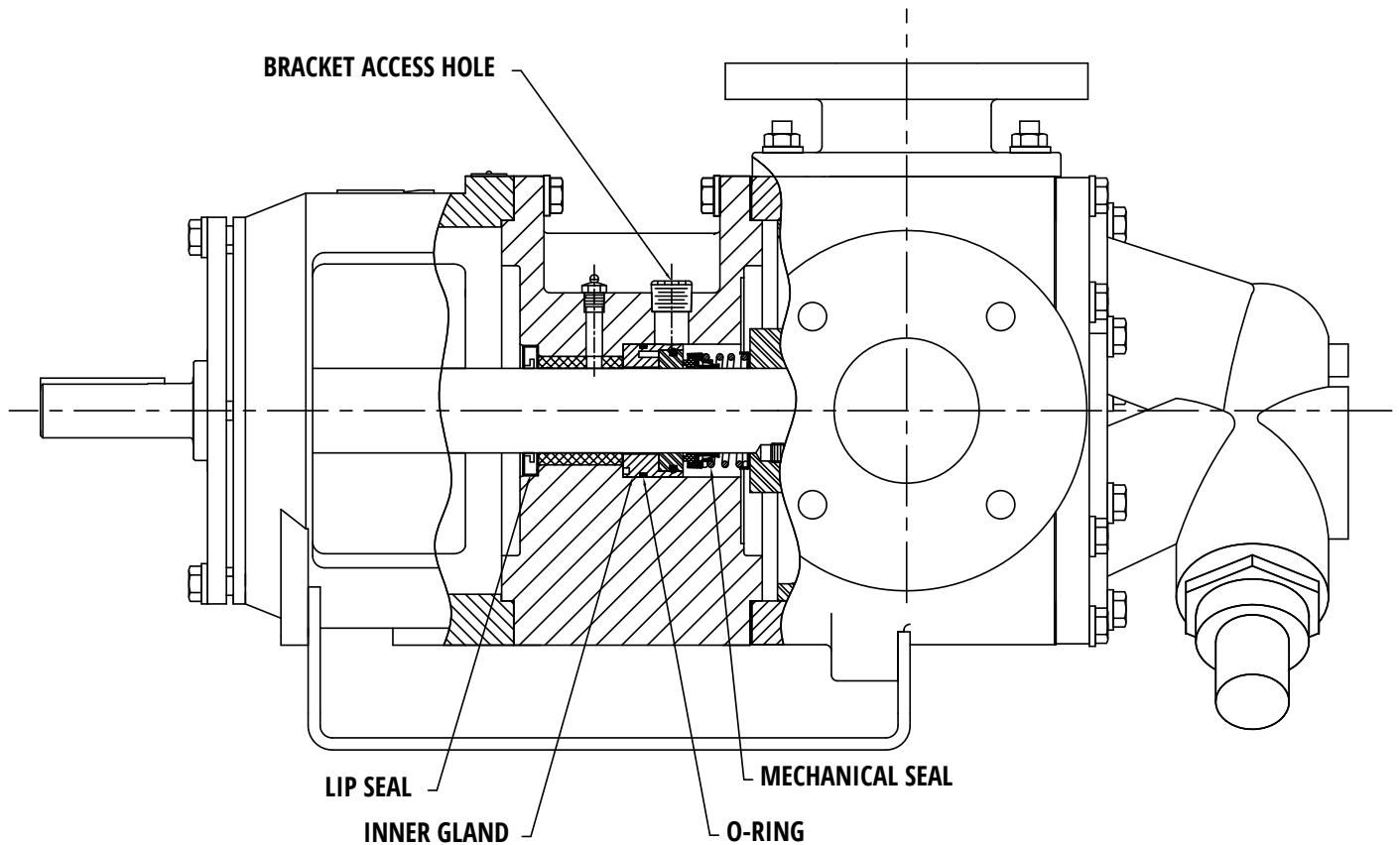


Figure 9 – Single Seal in In-Board Location

It is always recommended to replace the rotor if scoring is present on the shaft. If the old one is being re-used, lightly polish the shaft in order to remove minor defects.

**CAUTION!**

The highly polished seal faces should not be touched during the assembly process as any minor scratch could result in leakage once in service.

Place the seal head on the rotor shaft. A light lubricant will assist. Proper location of the seal is with the back portion against the rotor head. If the seal head has setscrews, tighten them once the seal head is properly located.

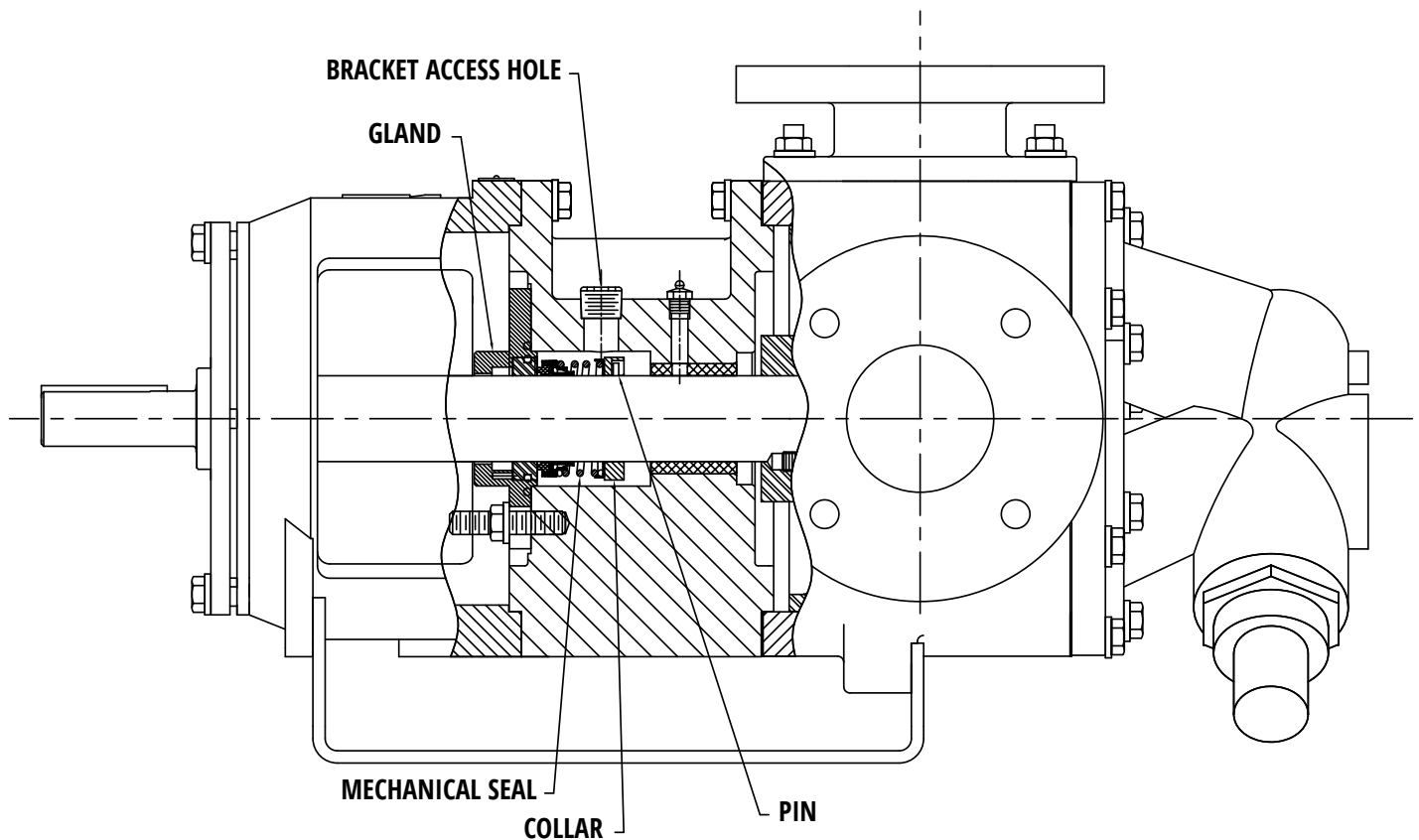
Insert a new O-ring on the OD of the in-board seal gland. Lightly lubricate the O-ring.

Insert the seal seat into the in-board seal gland bore. If the seal needs an anti-rotation pin, make sure the pin is aligned with the slot in the seal seat. Install the in-board seal gland into the bracket making sure the pin is aligned with the hole in the bracket.

A lip seal is used to keep dirt and contamination away from the bracket bushing grease. If this seal is damaged, it must be replaced. Always position the lip seal with the lip facing outward. This will allow old grease to be displaced through the lip seal during re-greasing.

Pumps with single seal behind the bushing (Out-Board location) See Figure 10.

**NOTE:** This must be done after the bracket is mounted onto the housing and the rotor/shaft assembly has been installed.



**Figure 10 – Single Seal in Out-Board Location**

It is always recommended to replace the rotor if scoring is present on the shaft. If the old one is being re-used, lightly polish the shaft in order to remove minor defects.

### **Install the Locating Collar (see figure 7)**

Using a needle nose pliers (or similar tool), install the locating pin by inserting it through the hole in the bracket into the hole in the shaft. Position the collar so the side with the slot for the locating pin is towards the housing. Slide the collar over the shaft until it engages with the locating pin.

### **Install the Stationary Seat into the Gland (see figure 7)**

#### **CAUTION!**

The highly polished seal faces should not be touched during the assembly process as any minor scratch could result in leakage once in service.

Lightly lubricate the O-ring on the stationary seat and then press the seat into the gland. If the gland has an anti-rotation pin, make sure the pin is aligned with the slot in the seal seat.

### **Install the Mechanical Seal onto the Shaft**

Lightly polish the shaft in order to remove any minor defects. Place the seal head on the rotor shaft. A light lubricant will assist. Proper location of the seal is with the back portion against the collar. If the seal head has setscrews, tighten them once the seal head is properly located. Plug the access holes when finished with the 1/2" NPT plug.

---

**CAUTION!**

---

The highly polished seal faces should not be touched during the assembly process as any minor scratch could result in leakage once in service.

To install the gland slide the gland o-ring and gland over the shaft and position it onto the studs on the bracket. Then install the washers and nuts and tighten.

### Flush Arrangements (See Figure 4)

The orifice plug should be removed on GG250 pumps and smaller if the viscosity of the application is greater than 7500 SSU (1650 CST). For pumps with cartridge seal consult the separate seal instructions provided with the new seal.

**Note:** The standard bracket for the GlobalGear® pumps provides a vent to the seal chamber from suction port of the housing (See Figure 4). Position the bracket so the vent hole lines up with the hole in the housing by the suction port.

### Rebuild Drive Module Assembly

Place the rotor into the bracket and place this assembly on a flat surface so the shaft points upward. The orifice plug should be removed on GG250 pumps and smaller if the viscosity of the application is greater than 7500 SSU (1650 CST). Install the bearing carrier onto the bracket. Place the inner bearing cap over the shaft.

Install the new ball bearing onto the shaft. The bearing may have a slight press on the shaft so the bearing may have to be tapped on. Ensure that it bottoms out on the shaft shoulder. The bearing must be pressed on the inner race, not the outer race. Pressing on the outer race could damage the bearing.

**Note:** The standard bracket for the GlobalGear pumps provides a vent to the seal chamber from the suction port of the housing (See Figure 4). Position the bracket so the vent hole lines up with the hole in the housing by the suction port. See Table 4 for proper torque specifications.

---

**CAUTION!**

---

Do not use excessive force when pressing the bearing onto the pump shaft, as it could damage the mechanical seal.

Install the bearing lock washer and locknut. After the locknut is tightened, bend one of the lock washer tabs into the locknut slot to ensure that the locknut cannot vibrate loose.

Nut Size	Pump Size	Foot - Pounds	Newton - Meters
N - 05	GG015 - 030	50 - 70	68 - 95
N - 06	GG050 - 090	75 - 95	102 - 129
N - 07	GG120 - 210	100 - 130	136 - 176
N - 08	GG250	120 - 150	163 - 203
KM-12	GG550	120 - 150	163 - 203

Table 6 – Fastener torque requirements

Loosely fit the inner and outer bearing caps to the bearing carrier, using the bearing cap screws. DO NOT tighten the screws at this time.

### Install Drive Module to Housing

Place the gasket on the bracket and slide the drive module into the housing and assemble with drive module bolts. Verify that the flush holes in the bracket are lined up with the appropriate hole in the housing. Place idler assembly on cover and once the idler is on the cover, ensure that it rotates freely.

## Install Cover and Idler Assembly

- Place the gasket on the cover
- Tilt the top of the cover away from the pump until the crescent can be fitted into the rotor i.D.
- Then rotate the idler until its teeth mesh with the rotor teeth
- Assemble with cover bolts and install relief valve to the housing or cover

Prior to reinstalling the relief valve back onto the pump housing or cover, ensure that the valve is clear of any foreign material and that the flow ports are unobstructed. Place the valve gasket on the housing or cover and assemble the valve on the pump housing or cover with valve screws. Make certain the adjusting screw of the valve points towards the suction port.

### CAUTION!

The adjusting screw of the valve must point towards the suction port.

## Adjustment of End Clearance

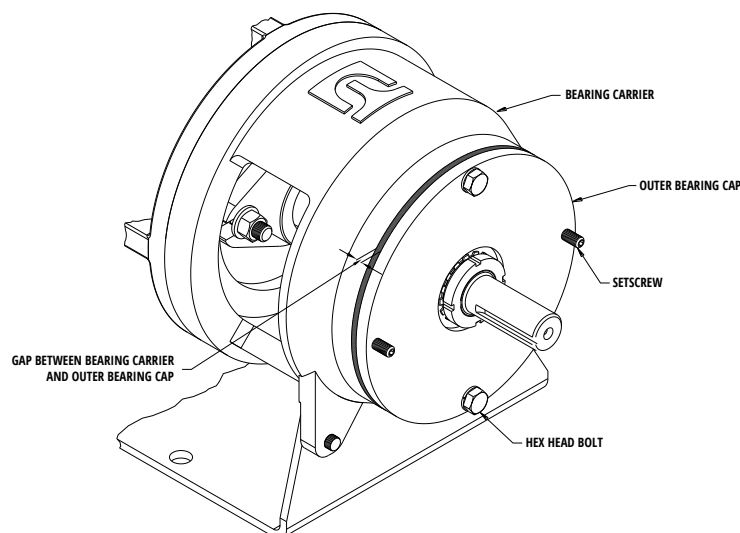


Figure 11 – Setting End Clearance

- Loosen the two setscrews on the outer bearing cap
- Slowly and evenly tighten the two hex head bolts on the outer bearing cap. This will slowly move the rotor towards the cover. Continue this until the rotor contacts the cover. This can be determined by rotating the rotor by hand. Once you feel the drag between the rotor and cover, stop. This is zero end clearance
- Measure the distance between the outer bearing cap and the bearing carrier. Use appropriate feeler gauges or gauge blocks. Record this dimension and then remove the feeler gauges or gauge blocks. Note the position on the outer bearing cap where the dimension was taken
- Loosen the two hex head bolts on the outer bearing cap
- Slowly and evenly tighten the two setscrews on the outer bearing cap until there is a gap slightly larger than the distance measured in Step 3 above
- Determine the proper end clearance (refer to Table 6) and add that dimension to the dimension measured in Step 3 above. Prepare feeler gauges or gauge blocks for the total dimension and insert between the outer bearing cap and the bearing carrier in the same position that the original dimension (Step 3) was taken
- Start backing off the two setscrews equally. This will move the rotor towards the cover. Continue this until tension is felt on the feeler gauges or gauge blocks
- Once the proper end clearance has been obtained, remove the feeler gauges or gauge blocks and tighten the two hex head bolts
- Hand rotate the pump to ensure that it rotates freely without binding

Standard End Clearances For GlobalGear Series Pumps			
Pump Size	Cast Iron	Stainless Steel	Carbon Steel
GG015	0.003 - 0.005 inch ( 0.076 - 0.127mm)	0.006 - 0.008 inch ( 0.152 - 0.203mm)	0.003 - 0.005 inch ( 0.076 - 0.127mm)
GG030	0.003 - 0.005 inch ( 0.076 - 0.127mm)	0.006 - 0.008 inch ( 0.152 - 0.203mm)	0.003 - 0.005 inch ( 0.076 - 0.127mm)
GG050	0.005 - 0.007 inch ( 0.127 - 0.178mm)	0.008 - 0.010 inch ( 0.203 - 0.254mm)	0.005 - 0.007 inch ( 0.127 - 0.178mm)
GG070	0.005 - 0.007 inch ( 0.127 - 0.178mm)	0.008 - 0.010 inch ( 0.203 - 0.254mm)	0.005 - 0.007 inch ( 0.127 - 0.178mm)
GG080	0.005 - 0.007 inch ( 0.127 - 0.178mm)	0.008 - 0.010 inch ( 0.203 - 0.254mm)	0.005 - 0.007 inch ( 0.127 - 0.178mm)
GG090	0.005 - 0.007 inch ( 0.127 - 0.178mm)	0.008 - 0.010 inch ( 0.203 - 0.254mm)	0.005 - 0.007 inch ( 0.127 - 0.178mm)
GG120	0.007 - 0.009 inch ( 0.178 - 0.229mm)	0.013 - 0.015 inch ( 0.330 - 0.381mm)	0.007 - 0.009 inch ( 0.178 - 0.229mm)
GG130	0.007 - 0.009 inch ( 0.178 - 0.229mm)	0.013 - 0.015 inch ( 0.330 - 0.381mm)	0.007 - 0.009 inch ( 0.178 - 0.229mm)
GG200	0.008 - 0.010 inch ( 0.203 - 0.254mm)	0.013 - 0.015 inch ( 0.330 - 0.381mm)	0.008 - 0.010 inch ( 0.203 - 0.254mm)
GG210	0.008 - 0.010 inch ( 0.203 - 0.254mm)	0.013 - 0.015 inch ( 0.330 - 0.381mm)	0.008 - 0.010 inch ( 0.203 - 0.254mm)
GG250	0.008 - 0.010 inch ( 0.203 - 0.254mm)	0.013 - 0.015 inch ( 0.330 - 0.381mm)	0.008 - 0.010 inch ( 0.203 - 0.254mm)
GG550	0.015 - 0.017 inch ( 0.381-0.432 mm)	0.019 - 0.021 Inch (0.483 - 0.533mm)	0.015 - 0.017 inch ( 0.381-0.432 mm)

Table 7 - End Clearance Values for Standard Clearances

**Note:** Many Tuthill pumps are provided with non-standard clearances for use with high-viscosity or high-temperature fluids. Consult the factory for clearances of these pumps.

### Refit Coupling and Guard

If you have been able to take advantage of the modular design of this pump, the complete overhaul has been accomplished without removal of the housing from the base plate or piping. Thus, your original coupling alignment should be intact. Refit the coupling and spacer, double-check alignment and complete any final adjustments.

### Safety Relief Valve Instructions

Tuthill provides safety relief valves on pumps for over-pressure protection only. They are not intended for use as flow control devices or any other similar use.

#### CAUTION!

Continuous operation of the valve results in excessive heat build-up within the pumping cavity which can cause serious internal damage.

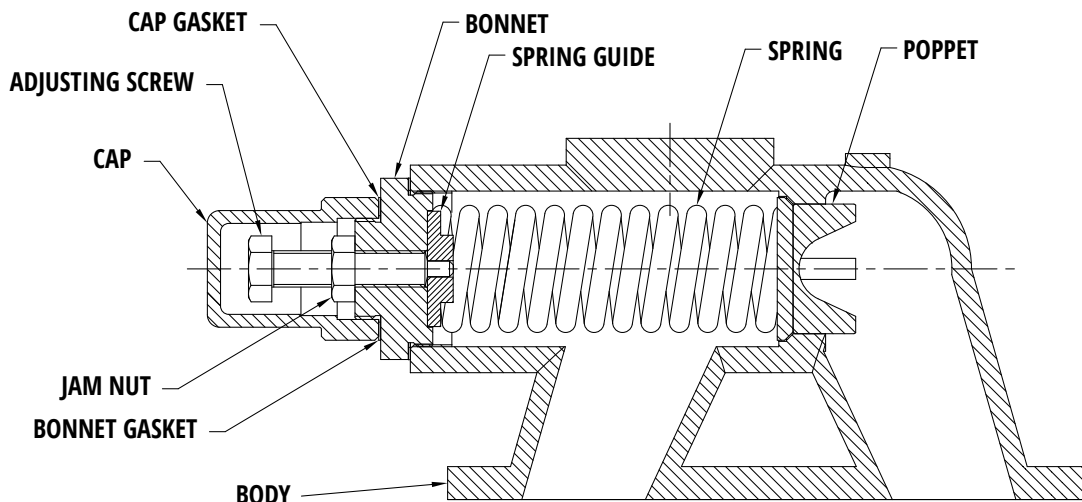


Figure 12 – Relief Valve

## Disassembly of relief valve (see figure 12)

Note the valve position in relation to the housing and suction piping. Ensure that system pressure has been relieved and that the driver has been locked out prior to doing any service work.

- Remove the adjusting screw cap to expose the adjusting screw
- Measure and record the length of the exposed amount of the screw
- Loosen the adjusting screw to relieve initial spring pressure
- Remove the bonnet, spring guide, spring and valve poppet from the main valve housing
- Inspect all parts for wear or damage, in particular the valve seat area. Excessive wear or damage at this surface would be cause for replacement of components
- Re-assembly of relief valve (see figure 12)
- Ensure all parts are clean, no foreign matter is in the valve and the ports are unobstructed
- Reassemble valve in the reverse manner as noted in disassembly procedure
- Reset the adjusting screw to the original position

## Pressure adjustment of relief valve

The safety relief valves supplied on GG Series pumps are provided with springs that can be adjusted for various settings. Factory setting on all valves is 100 PSI (6.9 bar) full bypass, unless another setting was specified at time of order. This setting will vary depending on liquid viscosity and pump speed. If it must be changed from this factory setting due to your operating conditions, the following procedure is used:

Place a pressure gauge on the pump discharge line as close as possible to the pump in order to obtain accurate readings. There must be no restrictions between the gauge and pump. The pump housing has a tapped opening in the port area that is the best location for this gauge

- Remove the adjusting screw cap and gasket to expose the adjusting screw
- Loosen the lock nut
- Start the pump running
- Slowly restrict the discharge line while observing the pressure gauge
- Stop immediately if the pressure rises above a safe level

With the discharge line fully closed, the gauge will read the full bypass pressure setting for the current speed and viscosity. Do not leave the discharge line closed for a long time, since the fluid temperature will rise rapidly. Adjust the valve adjusting screw to obtain the desired full bypass setting. Tighten the screw to increase the setting, and loosen it to reduce the setting

Once set, reopen the discharge line. This setting should be 15-25% above normal operating pressure presented by the system to ensure the valve does not operate during normal use

---

### CAUTION!

If there is some other flow control device present in the system that will vary the system pressure, the relief valve setting should be set above this pressure to ensure the valve does not function during normal use.

- Tighten the locknut
- Install the adjusting screw cap and gasket.



## GlobalGear® Materials of Construction

Part Name	Material	Standard	Comments	Availability			Compressor Duty
				GGI	GGs*	GGC*	
Housing, Cover	cast iron (CI)	ASTM A48		S			S
	Tutrided CI	ASTM A48	surface hardened	0			
	stainless steel (SS)	ASTM A743, grade CF8M	cast version of 316 SS		S		
	cast steel (CS)	ASTM A216, grade WCB				S	0
Bracket, Valve Body	cast iron (CI)	ASTM A48		S			S
	stainless steel (SS)	ASTM A743, grade CF8M	cast version of 316 SS		S		
	cast steel (CS)	ASTM A216, grade WCB				S	
Valve Block-Off Plate	steel	AISI 1018	no contact with pumpage	S*	S	S	
Rotor Head, Idler Gear	ductile iron (DI)	ASTM A536, grade 80-55-06		S		S	S
	Tutrided DI	ASTM A536, grade 80-55-06	surface hardened	0		0	
	stainless steel (SS)	ASTM A494, grade CY5SnBiM	"Nitronic 60"		S		
Rotor Shaft	carbon steel (CS)	AISI 4140		S		S	
	hardened steel	AISI 4140	induction hardened	0		0	S
	stainless steel (SS)	ASTM A564, grade 630	"Armco 17-4PH"		S		
	hard-coated SS	ASTM A564, grade 630	chrome oxide coated		0		
Idler Pin	hardened steel	AISI 1117	case hardened	S		S	
	stainless steel (SS)	ASTM A564, grade 630	"Armco 17-4PH"	0	S		
	tungsten carbide	grade C2		0	0	0	
Bushings	bronze	SAE CA932		S			
	standard carbon	carbon graphite resin		0	S	S	S
	high-temp carbon	carbon graphite		0	0	0	
	tungsten carbide	grade C2		0	0	0	
Gaskets	standard	fiber with nitrile binder	"Garlock" Style 3000	S			
	high-temp	graphite/316 SS	"Garlock" Style 3125TC/SS	0	S	S	
Bearing Carrier	cast iron (CI)	ASTM A48	no contact with pumpage	S	S	S	
Cover Jacket	ductile iron (DI)	ASTM A536, grade 80-55-06	no contact with pumpage	0	0		
Jacketed Bracket	cast iron (CI)	ASTM A48		0*			
	stainless steel (SS)	ASTM A276, grade 316			0		

Availability Codes	Pump Models
S= Standard material for this pump series	GGI= GlobalGear®, Iron
0= Optional material for this pump series	GGs= GlobalGear®, Stainless Steel
* Not available with GG550 pumps	GGC= GlobalGear®, Cast Steel
Relief valves not available with GG550 angle ported pumps	Compressor Duty: Standard Viton O-ring

# GlobalGear® Temperature Limits

°F	Clearances	Pump Series		Bushings		Seal Elastomers	Packing	HT Opts	°C																			
600	Class H	Cast Iron Construction	Cast Steel Construction	Stainless Steel Construction	Bronze Bushings	Standard Carbon Bushings	HT Tungsten Carbide Bushing (CI)	HT Carbon Bushings	HT TC Bushs (SS)	Viton	PTFE (See Note 3)	Standard Packing (PTFE/Graphite)	475°F	HT Ball Bearing, Gaskets, and Paint	316													
550															288													
500															260													
450	Class G														Cast Iron Construction	Cast Steel Construction	Stainless Steel Construction	Bronze Bushings	Standard Carbon Bushings	HT Tungsten Carbide Bushing (CI)	HT Carbon Bushings	HT TC Bushs (SS)	Viton	PTFE (See Note 3)	Standard Packing (PTFE/Graphite)	475°F	HT Ball Bearing, Gaskets, and Paint	232
400																												204
390																												199
380																												193
370																												188
365																												185
360																												182
350	177																											
300	Class A	Cast Iron Construction	Cast Steel Construction	Stainless Steel Construction	Bronze Bushings	Standard Carbon Bushings	HT Tungsten Carbide Bushing (CI)	HT Carbon Bushings	HT TC Bushs (SS)	Viton	PTFE (See Note 3)	Standard Packing (PTFE/Graphite)	475°F	HT Ball Bearing, Gaskets, and Paint														149
250																												121
200	Class 0														Cast Iron Construction	Cast Steel Construction	Stainless Steel Construction	Bronze Bushings	Standard Carbon Bushings	HT Tungsten Carbide Bushing (CI)	HT Carbon Bushings	HT TC Bushs (SS)	Viton	PTFE (See Note 3)	Standard Packing (PTFE/Graphite)	475°F	HT Ball Bearing, Gaskets, and Paint	93
150																												66
100																												38
50																												10
0																												-18
-10																												-23
-20																												-29
-30																												-34
-40		-40																										
-50		-46																										
-100	-73																											

**Notes:** 1. A pump's performance is dependent on more than just the temperature ranges of the component materials. 2. Pumps with extra clearances may have reduced flow rates when operated at lower temperatures. 3. Pumps with PTFE seals also have PTFE-encapsulated Viton O-rings which are limited to 400°F (204°C)

Clearance Class J = Chocolate Clearance Mods (Include Class B Clearance, Bronze Bushings, Root Drilled Idler & Drilled Rotor Head.)

## Troubleshooting

### Capacity is too low

- Air leaks in suction line & losses are too high
- The suction lift is too great or the suction line is too small or too long
- This can be detected by installing a vacuum gauge directly at the pump suction
- The maximum vacuum at the pump suction should never exceed 15" of mercury
- Vaporization caused by higher vacuums will generally result in capacity drop off. Redesign suction conditions
- Pump speed is too slow
- Strainer too small or obstructed
- Suction pipe or port not immersed deep enough in liquid
- Piping improperly installed permitting air pocket to form in the pump
- Increased clearances or wear in the pump will sometimes cause the pump to deliver an insufficient supply of liquid
- This may be corrected by reducing the thickness of the cover gaskets
- A folded gasket or a slight amount of dirt can exaggerate the problem and cause leakage
- Refer to Assembly Procedure section for minimum end clearances

### Pump works spasmodically

- Leaky suction lines
- Suction conditions vary
- Air or vapor in liquid
- Problem: Excessive power draw
- Pressure too high
- Liquid more viscous than originally expected
- Suction or discharge lines obstructed
- Insufficient horsepower

### Mechanical defects

- Drive shaft and pump are misaligned.
- Pump is binding due to insufficient end clearance.
- Pump shaft is bent.
- Misalignment within pump due to bad piping or poor installation, causing strain or distortion.

### Pump is noisy

- Pump is cavitating due to inadequate suction conditions.
- Misalignment of coupling.
- Coupling set too close to pump.
- Vibration of pump due to worn or bent shaft.
- Air leaks on suction side of pump or air entrainment in fluid.

### Pump leaks

- Bolts need tightening, allowing gaskets or O-rings to leak.
- Gaskets or O-rings are damaged.

### No fluid is delivered

- Power is not on
- Net positive suction head available (NPSHa) is lower than required for the vapor pressure of the liquid pumped
- You should calculate NPSHa and redesign piping, if necessary
- Leaks in suction line or port passages can be detected by submerging pressure line from discharge side of pump into a pail of liquid where the air will be seen in the form of bubbles
- Direction of shaft rotation is incorrect
- Relief valve setting is too low
- Liquid is discharging through the bypass port

**Note:** Packings are designed to leak. Leakage should be at a rate that will prevent excessive heating on the bracket at the packing area.

## Material Returns

If it becomes necessary to return a pump to the factory, a Return Goods Authorization (RGA) must be obtained from either your local Authorized Distributor or our Alsip plant. No RGA can be issued until a completed Material Safety Data Sheet (MSDS) has been forwarded to our Alsip plant and return of the pump approved.

- Tuthill pumps are precision built and must be handled with care
- Pumps must be drained of all fluid and the ports plugged to prevent foreign material from getting into the pump
- Pumps must be packaged securely to prevent damage while in transit

## Warranty

Tuthill Pump Group warrants its products against defective material and workmanship for 90 days from the date of startup or one year from date of shipment from Tuthill's plant, whichever comes first. This warranty does not include products damaged by tampering, improper installation, abuse, or wear. Nor does it cover consequential damages, or other losses due to pump failure.

Because of the unpredictable nature of fluids encountered, pumps are not warranted for any specific life.

Performance curves, dimensional data, and other product information is also available on the website.